

Main CPU, motor control and connectors
 Licenced under CC-BY-NC-SA 4.0

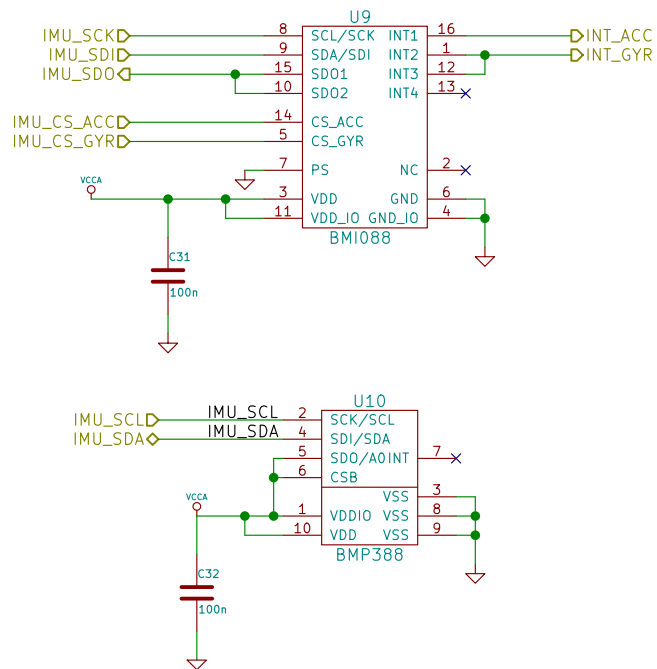
Bitcraze AB
 Sheet: /
 File: tern.sch

Title: Crazyflie Bolt

Size: A4 Date: 2019-10-01
 KiCad E.D.A. kicad 5.0.2-bee76a070ubuntu18.04.1



Rev: Rev.G
 Id: 1/3



Please note the following about the Crazyflie expansion connectors:
 * VCOM is always on power directly from the battery/USB and is not regulated
 * VCC is only on when the system is on and is regulated to 2.8V
 * VUSB is connected directly to the USB which means this will supply at 4.5-5.5V when the USB is connected and can be used for charging the battery when the USB is not connected



Licensed under CC-BY-NC-SA 4.0

Bitcraze AB

Sheet: /imu/

File: imu.sch

Title: Crazyflie Bolt

Size: A4

Date: 2019-10-01

Rev: Rev.F

KiCad E.D.A. kicad 5.0.2-bee76a070ubuntu18.04.1

Id: 2/3

